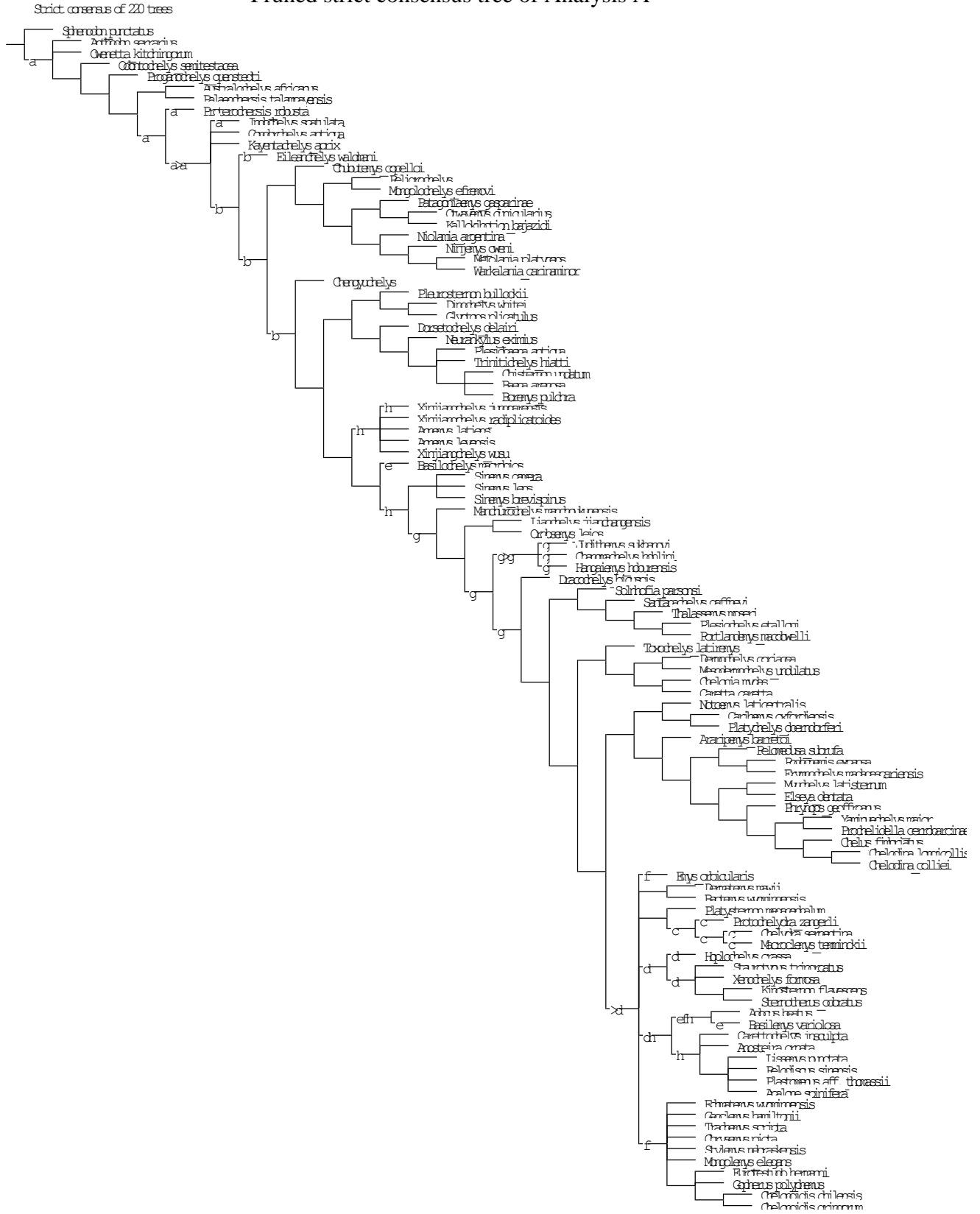


ADDITIONAL FILE 3

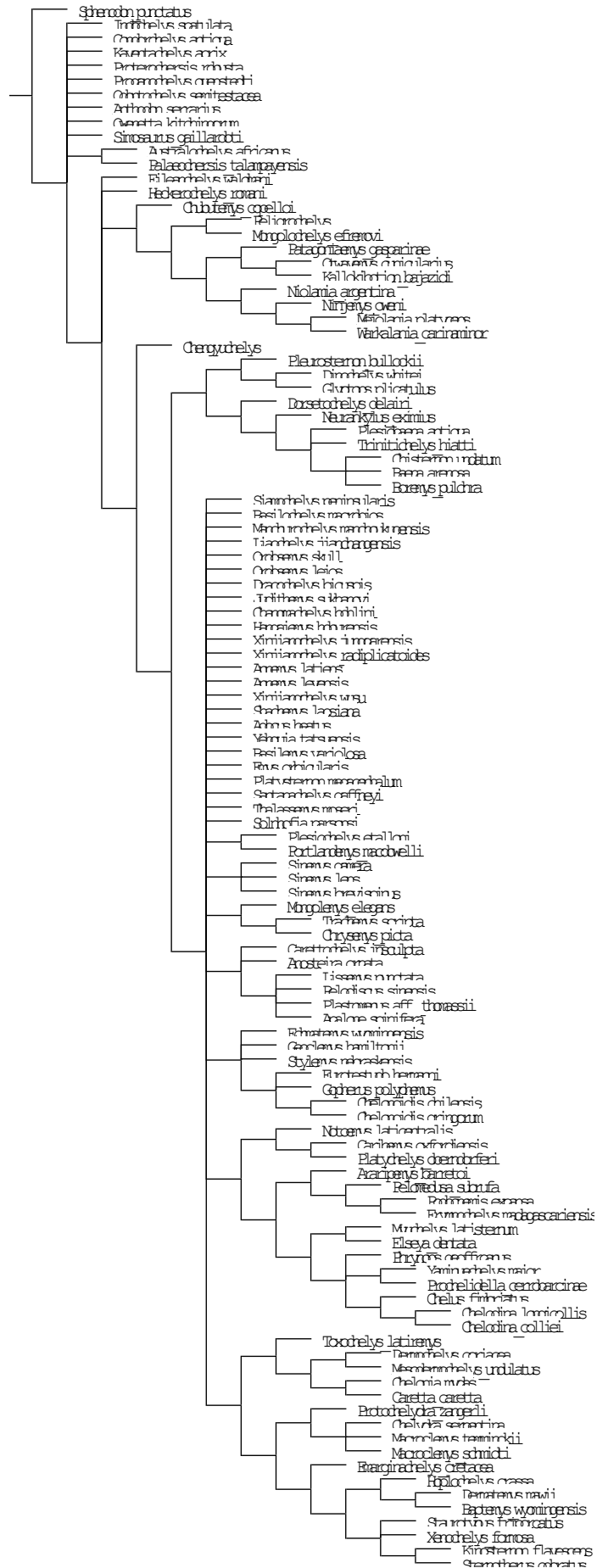
Consensus trees for the phylogenetic analyses of Zhou, Rabi and Joyce: “A new specimen of *Manchurochelys manchoukuoensis* from the Early Cretaceous Jehol Biota of Chifeng, Inner Mongolia, China and the phylogeny of Cretaceous basal eucryptodiran turtles”. *BMC Evolutionary Biology*.

Pruned strict consensus tree of Analysis A



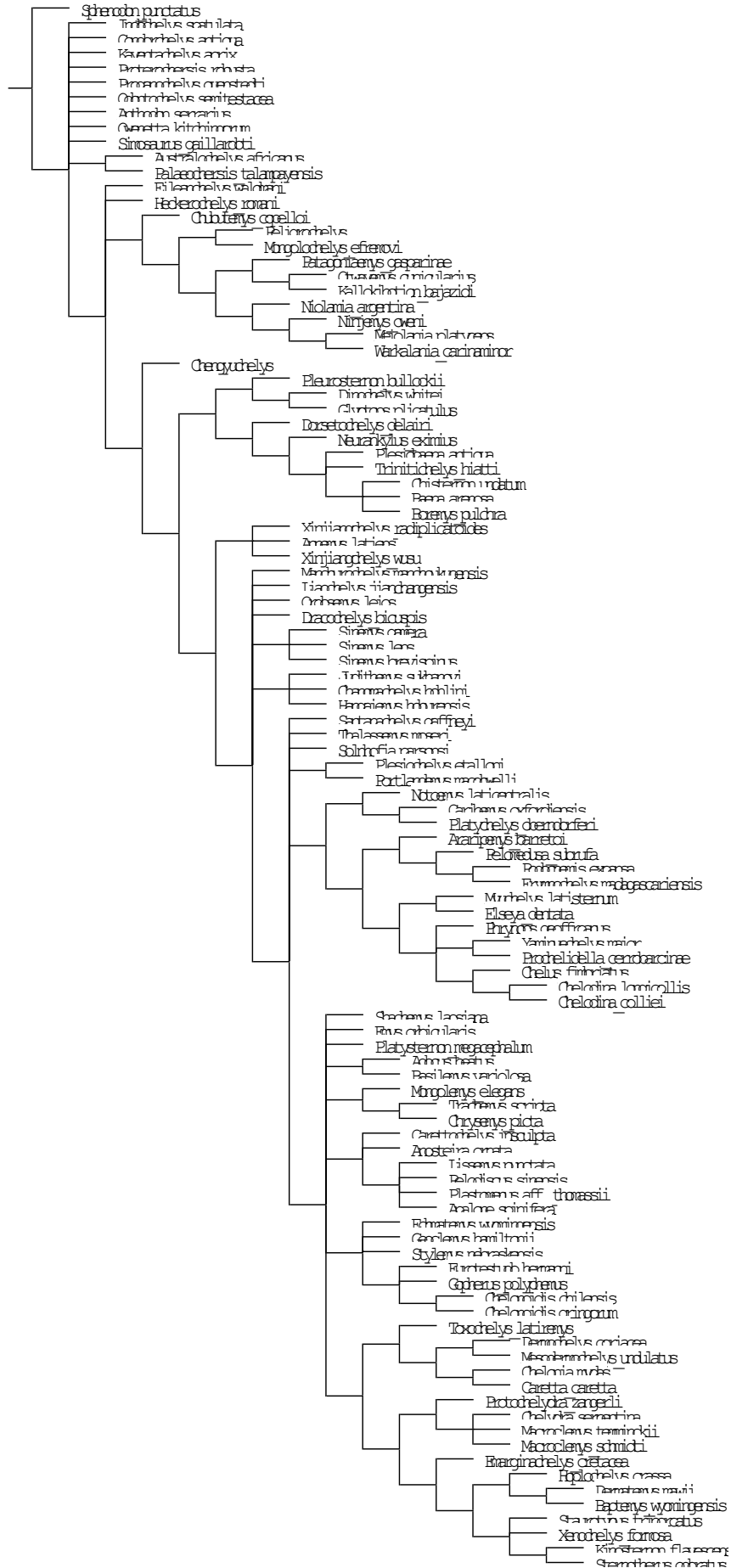
Strict consensus tree of Analysis B

Strict consensus of 136 trees (0 taxa excluded)



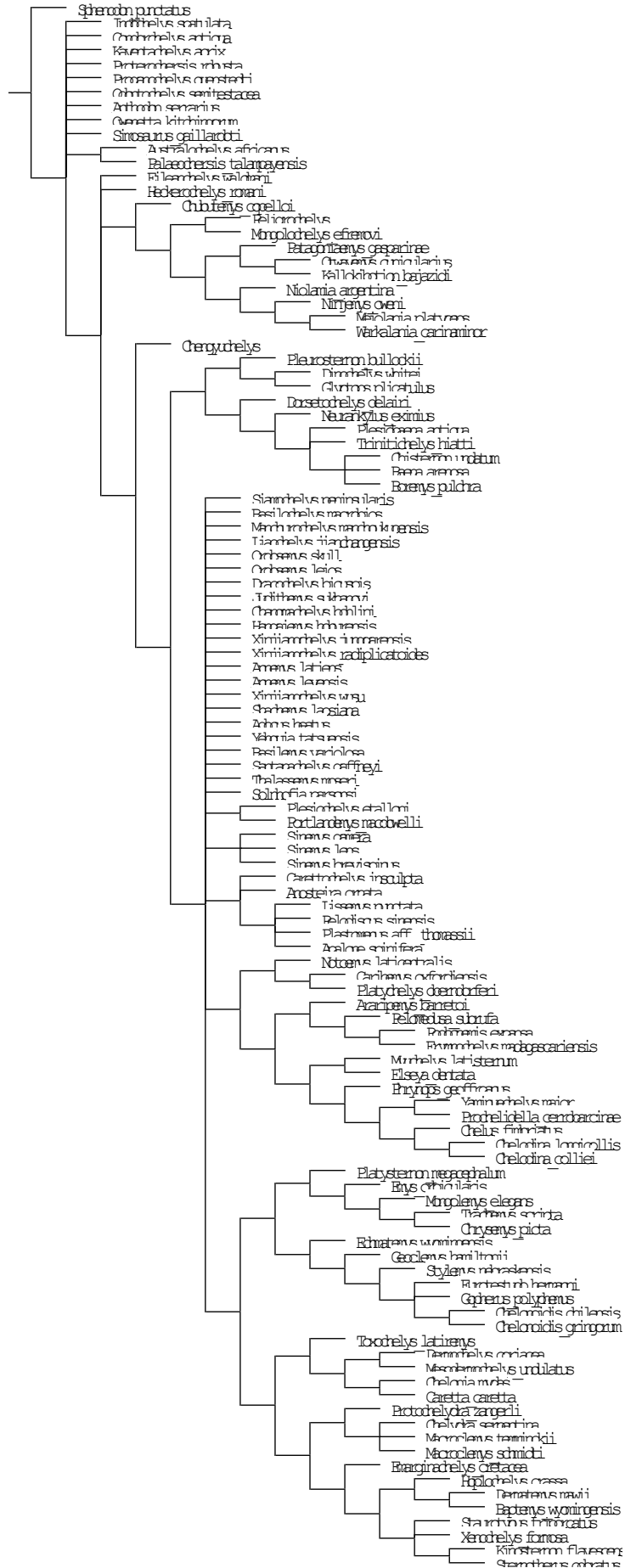
Pruned strict consensus tree of Analysis B

Strict consensus of 136 trees (6 taxa excluded)



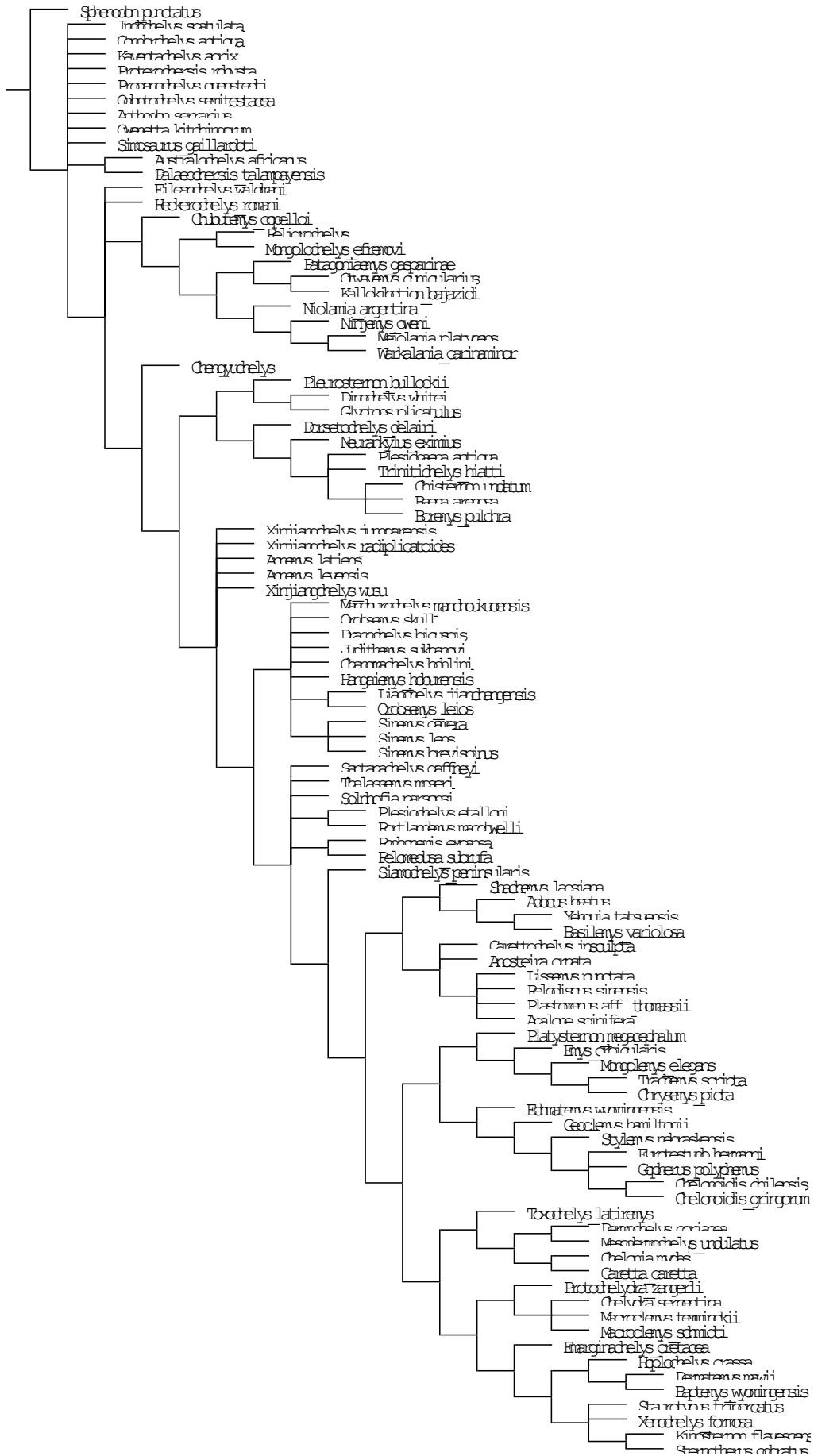
Strict consensus tree of Analysis C

Strict consensus of 151 trees (0 taxa excluded)

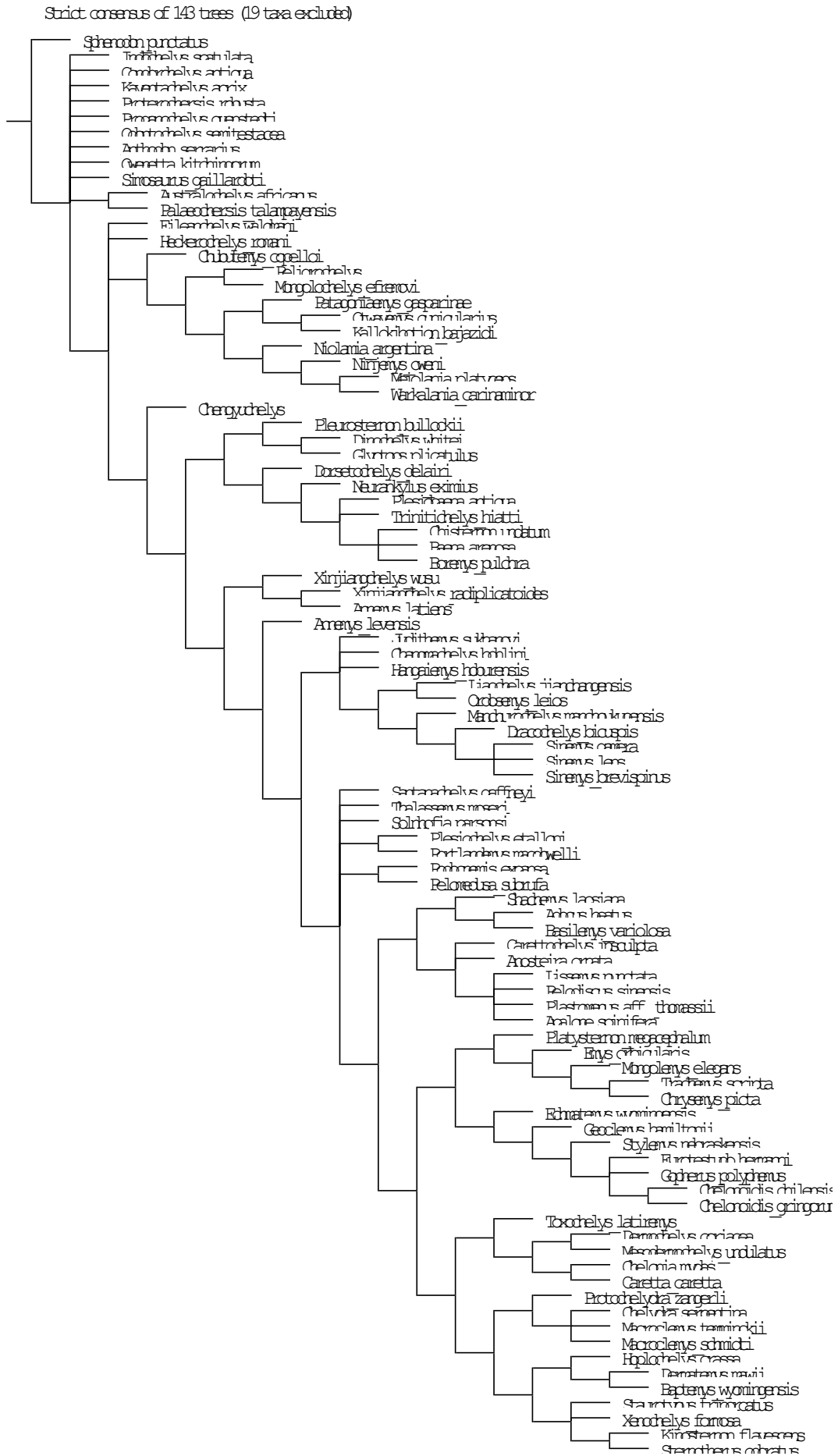


Strict consensus tree of Analysis D

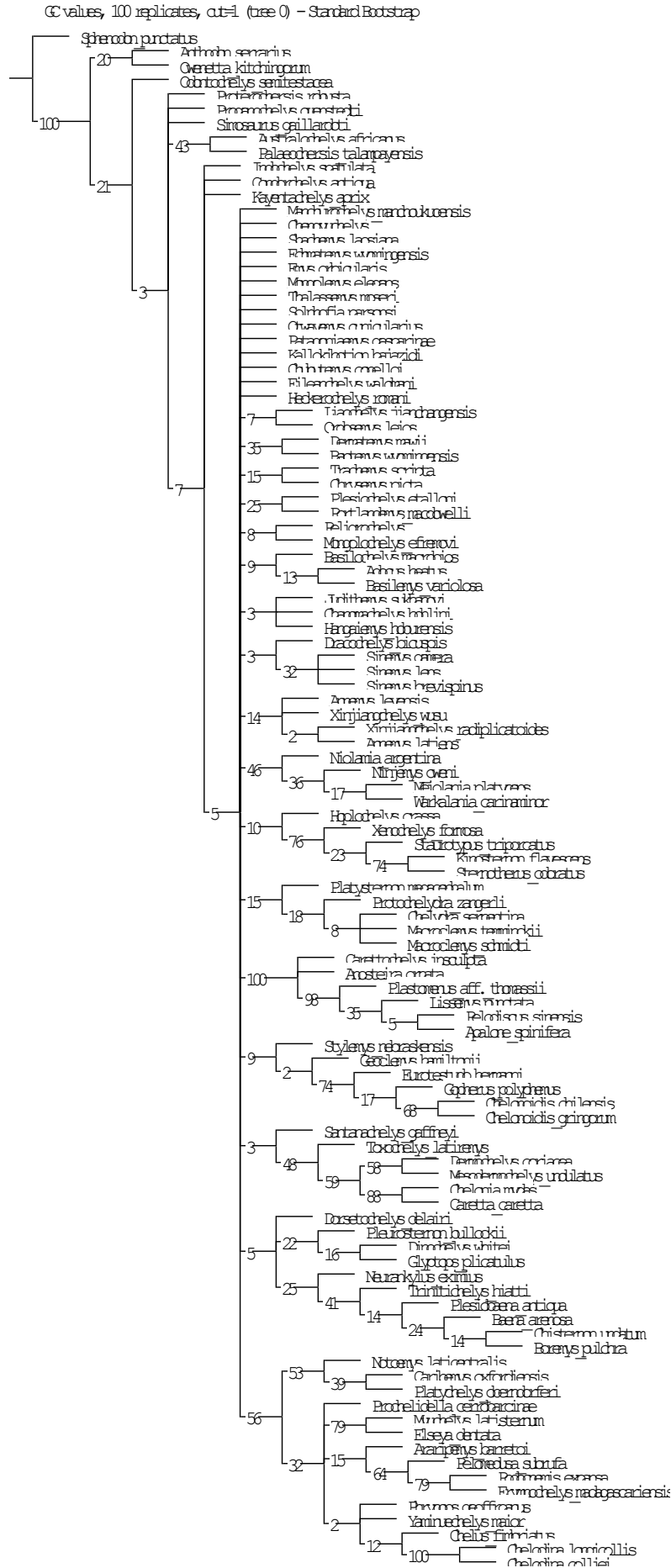
Strict consensus of 143 trees (14 taxa exclude)



Pruned strict consensus tree of Analysis D

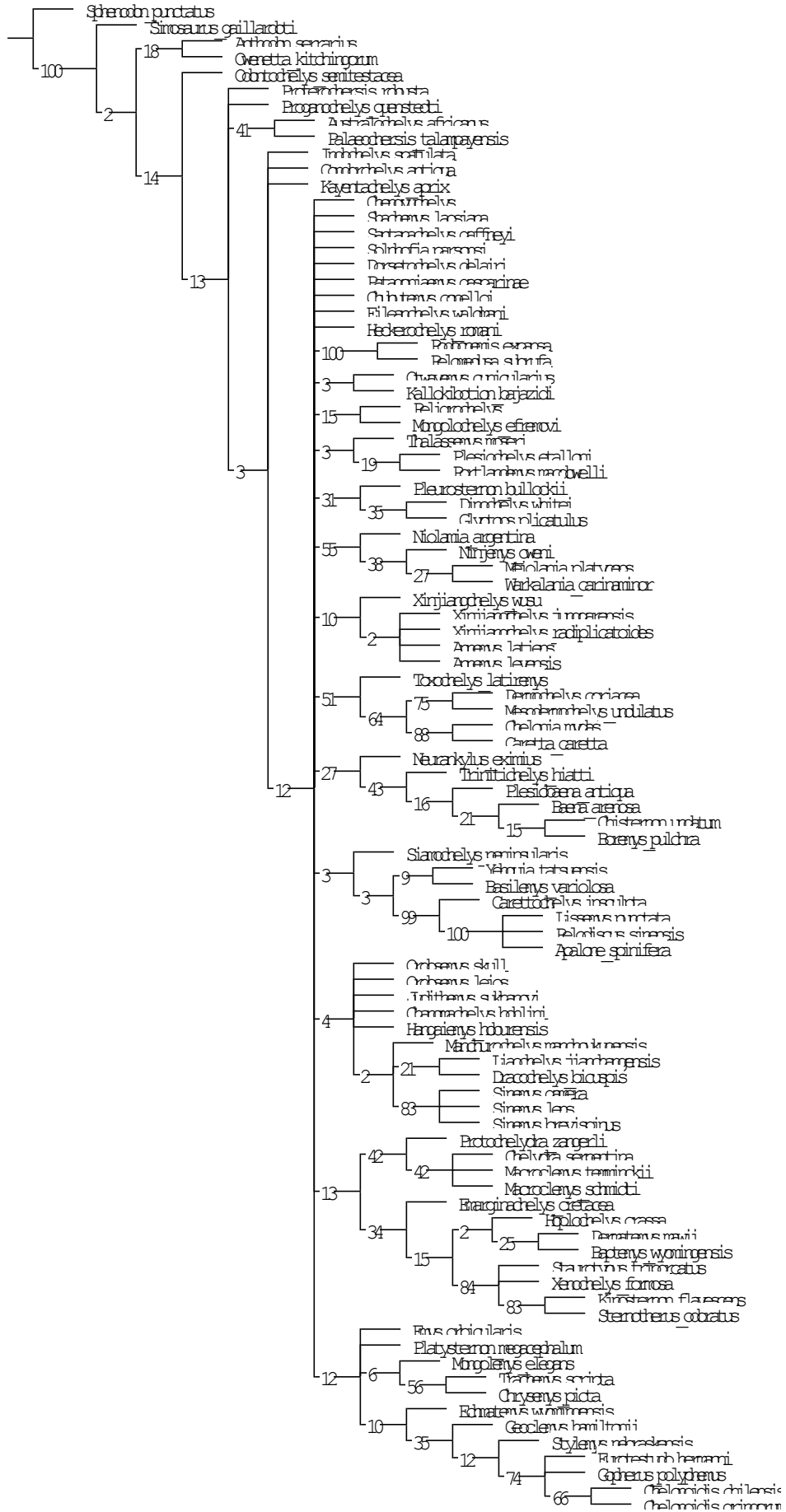


Bootstrap values for Analysis A



Bootstrap values for Analysis D

CI values, 100 replicates, cut=1 (tree 1) - Standard Bootstrap



Bootstrap values for Analysis D with new characters excluded

